

MODEL : ET-DIF-A

* Differential Amplifier

ET-DIF-A is used to study differential amplifier. This kit has been designed keeping students in mind so its very easy to understand and use.

Specification:-

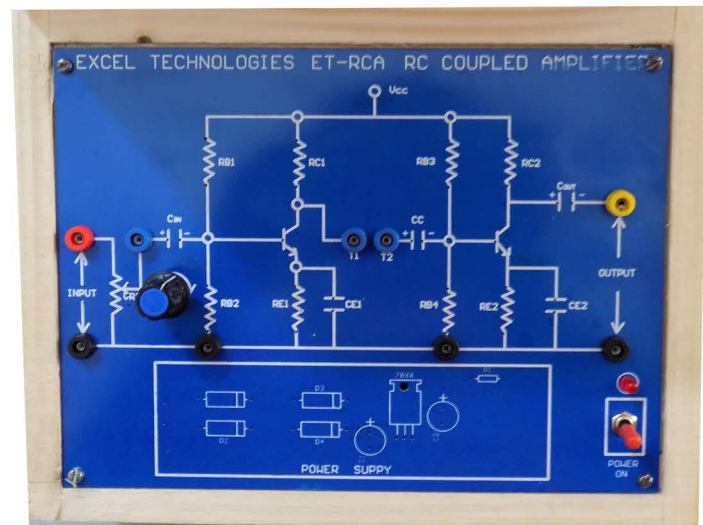
- On board circuit to study differential amplifier.
- On board switch for input from signal generator.
- On board two inputs.
- On board two outputs.
- ON/OFF switch and LED for power indication.
- Bare board Tested Glass Epoxy SMOBC PCB is used.
- Block Description Screen printed on glassy epoxy PCB
- All interconnections are made using 2mm banana Patch cords
- Supplied with User manual and patch cords
- With built-in power supply
- Enclosed in a wooden/plastic box

* Common Collector Amplifier

ET-CCA is used to study common collector amplifier. This kit has been designed keeping students in mind so its very easy to understand and use

Specification:-

- On board circuit to study common collector amplifier.
- On board POT for varying amplitude of input signal.
- On board test point to analyse the signal
- ON/OFF switch and LED for power indication.
- Bare board Tested Glass Epoxy SMOBC PCB is used.
- Block Description Screen printed on glassy epoxy PCB
- All interconnections are made using 2mm banana Patch cords
- Supplied with User manual and patch cords
- With built-in power supply
- Enclosed in a wooden/plastic box



MODEL:ET-RCA

* RC Coupled Amplifier

ET-RCA is used to study RC coupled amplifier using BJT. This kit has been designed keeping students in mind so its very easy to understand and use.

Specification:-

- On board circuit to study RC coupled amplifier using BJT.
- On board circuit to study amplification in single and double stage.
- ON/OFF switch and LED for power indication.
- Bare board Tested Glass Epoxy SMOBC PCB is used.
- Block Description Screen printed on glassy epoxy PCB
- All interconnections are made using 2mm banana Patch cords
- Supplied with User manual and patch cords
- With built-in power supply
- Enclosed in a wooden/plastic box

* Chopper Amplifier

ET-CA is used to study Chopper amplifier using op-amp. This kit has been designed keeping students in mind so its very easy to understand and use.

Specification:-

- On board circuit to study Chopper amplifier
- ON/OFF switch and LED for power indication.
- Block Description printed on board
- All interconnections are made using 2mm banana Patch cords
- Supplied with User manual and patch cords
- With built-in power supply
- Enclosed in a wooden/plastic box

Note : Specifications are subject to change due to our constant efforts for Improvement. Please refer to quotation for final specifications.